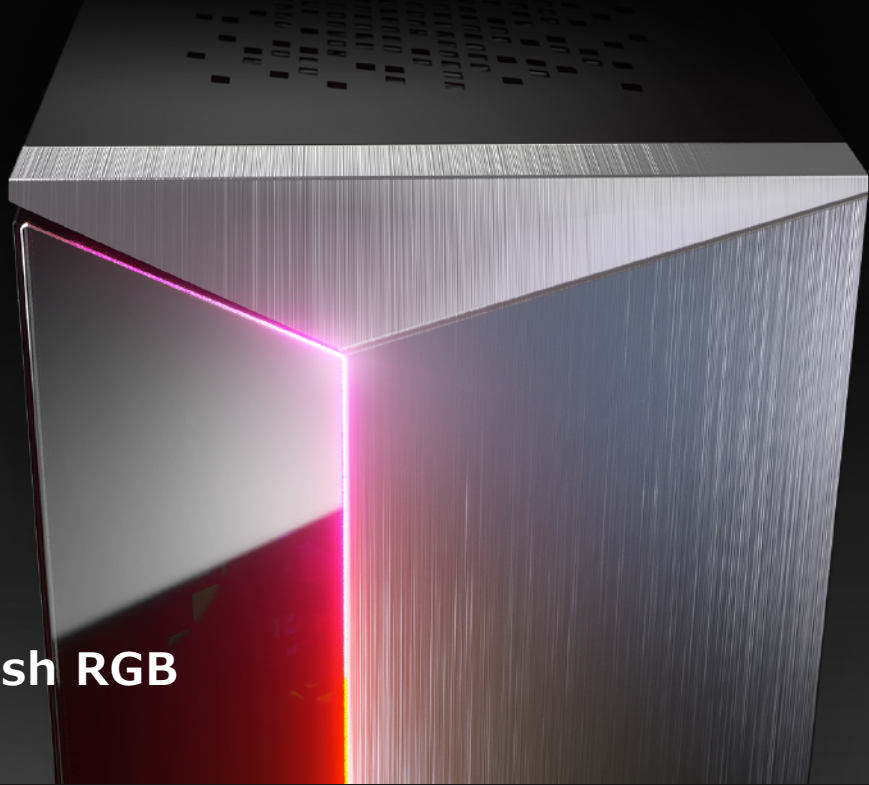


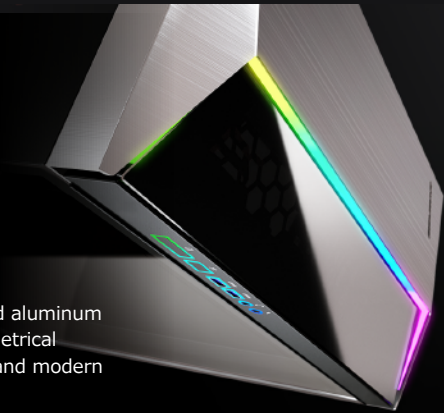


DarkBlader-G



Premium and Stylish RGB Full Tower Case

DISTINCTIVE STYLE WITH ELEGANT DESIGN



DarkBlader-G's brushed aluminum front panel and asymmetrical design bring a unique and modern style to your build.

ENJOY THE DAZZLING RGB SHOW

The integrated lighting button with built-in LED controller allows DarkBlader-G to display amazing lighting effects. It can also work to a compatible motherboards' 5V connection for system-wide lighting synchronization. The powerful lights come out of stylish panel and the reflective surroundings helps reinforce the RGB effects.



MASSIVE VISIBILITY

The full tempered glass panels not only help you to display the interior high-end components, but also showcase the stunning RGB lighting.



ULTIMATE CABLE MANAGEMENT

The cable management bar at the left side and the cable management cover at the other side provide a clean view and excellent airflow. Moreover, the graphic card holder helps your high-performance components with better stability.



TOP-NOTCH GAMING HARDWARE

To offer top-notch performance, DarkBlader-G is able to house a mighty build. Its excellent support for high-end graphics cards and up to E-ATX motherboards bring you unprecedented levels of freedom when designing your system.





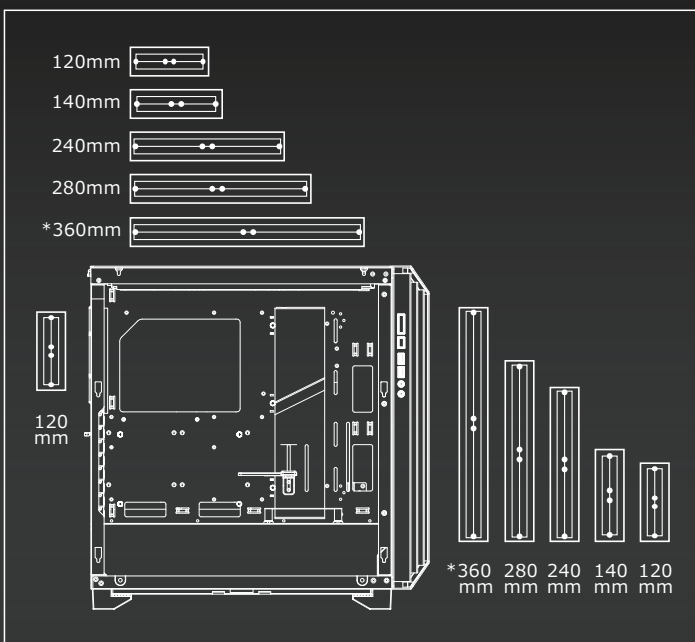
DarkBlader-G

Premium and Stylish RGB Full Tower Case

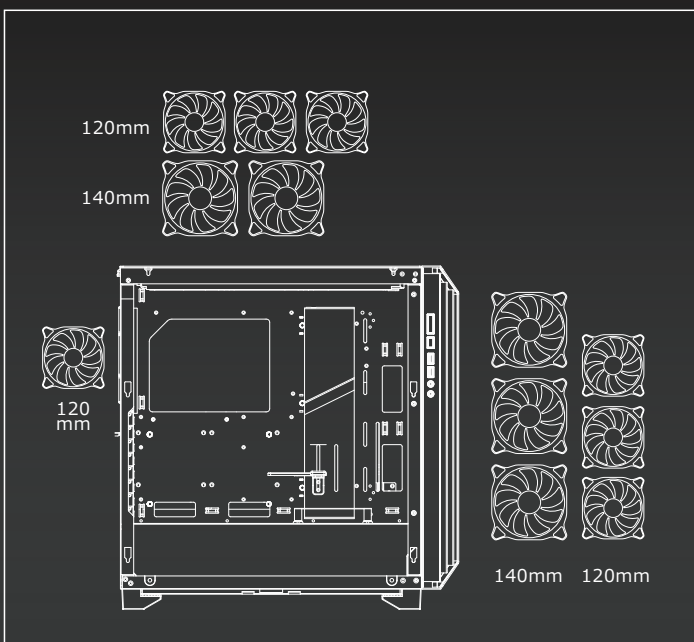
SUPERIOR COOLING

DarkBlader-G allows you to create impressive cooling solutions. With great support for up to 360mm water cooling radiator and seven fans, you will enjoy more than enough cooling horsepower to keep advanced components safe from overheating.

Water cooling radiator support



Air cooling support



* Choose either of front or top to install a 360mm radiator.

SPECIFICATIONS

Model Name	DarkBlader-G	
Case Form Factor	Full Tower	
Motherboard Type	Mini ITX / Micro ATX / ATX / CEB / **E-ATX	
Dimension (WxHxD)	232 x 523 x 518 (mm) 9.13 x 20.59 x 20.39 (in)	
3.5" Drive Bay	4 max.	
2.5" Drive Bay	4 max.	
Expansion Slots	8+2	
Maximum Number of Fans	7 max.	
Cooling System (mm)	Front	140 x 3 / 120 x 3
	Top	140 x 2 / 120 x 3
	Rear	120 x 1 (pre-installed)
I/O Panel	USB 3.0 x 2 / Mic x1 / Audio x1 / RGB Control Button x1	
Water Cooling Support (mm)	Front	*360 / 280 / 240 / 140 / 120
	Top	*360 / 280 / 240 / 140 / 120
	Rear	120
Max. Graphic Cards Length	380 (mm) / 15 (in)	
Max. CPU Cooler Height	170 (mm) / 6.7 (in)	
Max. PSU Length	200 (mm) / 7.9 (in)	
Onboard Lighting System	Integrated Lighting with Addressable RGB LEDs and Dynamic Lighting Effects in the Front Panel	

** Please remove the cable bar before installing an E-ATX motherboard.

* Choose either of front or top to install a 360mm radiator.